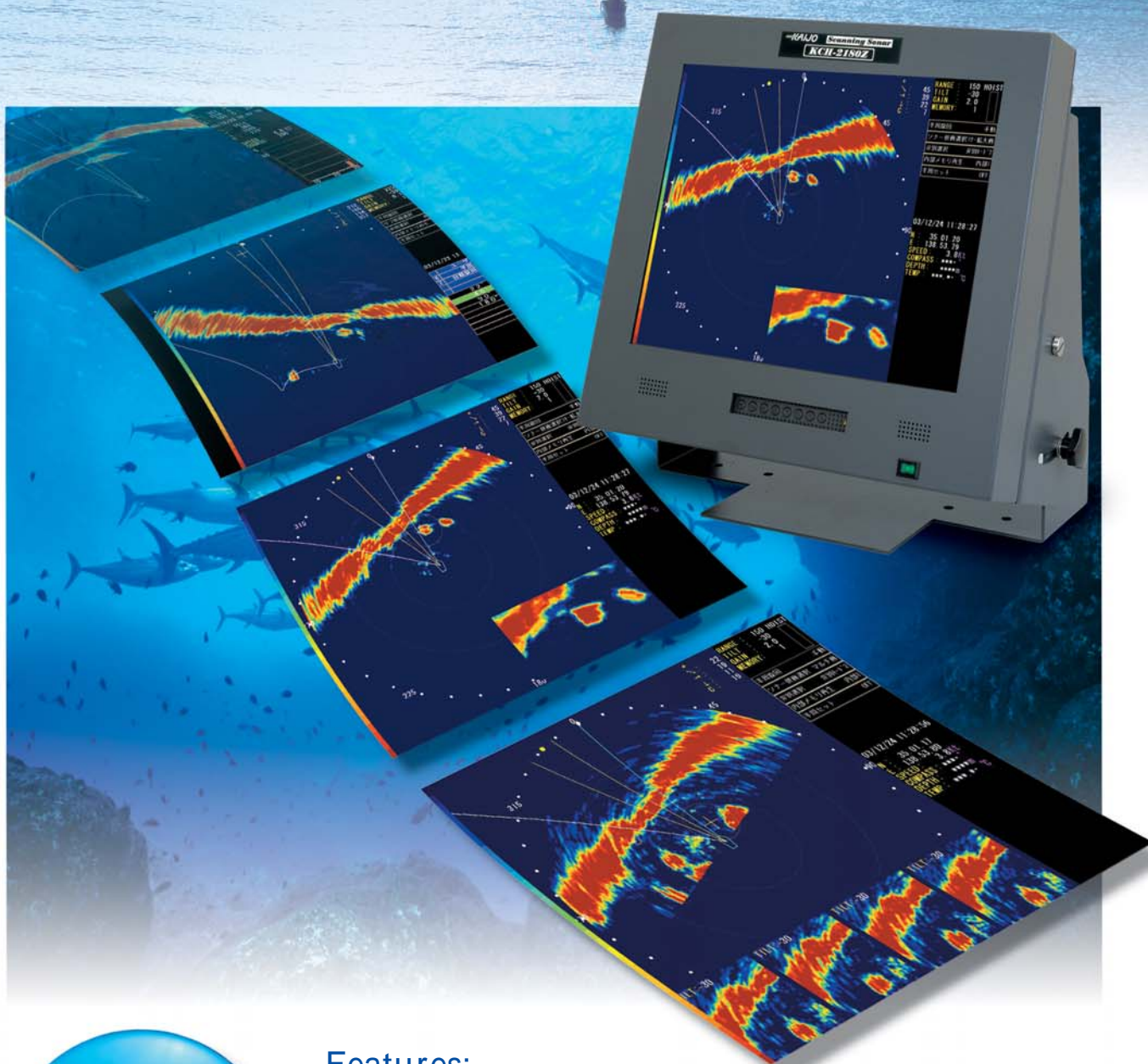




Half Scanning Sonar Model KCH-2180

Exceptional detecting capability with high resolution.
Clear definition even for schools at seabed level!



Features:

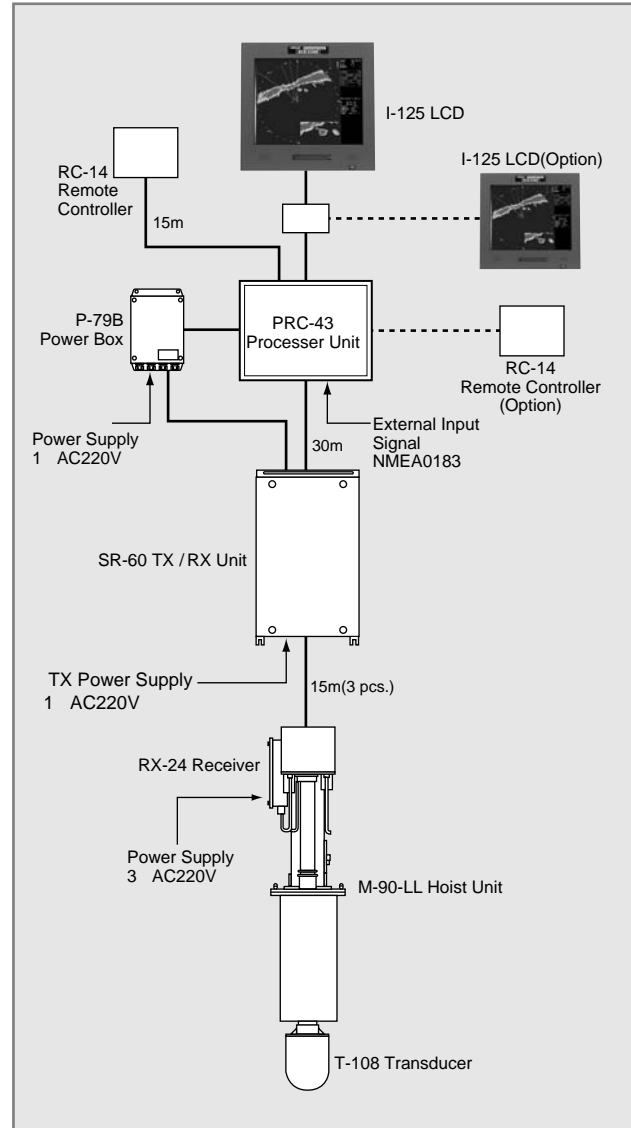
- Easy distinction between fish schools and bait with high resolution
- High frequency and long detection with a special transmission system
- A clearer picture display created by intensive signal processing (SXGA 1280×1024)
- A variety of functions to the sub-mode (Enlarged image, Multi image, Memory save/load image, etc.)

Half Scanning Sonar Model KCH-2180

Specifications

Image: PPI image by TFT liquid crystal color display
 Display resolution: SXGA(1280 x 1024)
 Display color: Signal(32 colors), Character(4 colors), Marker(2 colors)
 Frequencies: 164kHz, 174kHz, 184kHz
 Display mode: Head-up, North-up, Tru motion
 Sub display mode: Character display, external input signal, and fish-school image display are selectable.
 Simultaneous-display image function: Cut-out image, enlarged image, storage image
 Off-center: 1.5 times enlargement of selected area
 Off-center, rotation mode, set mode
 Fish-school graph: Displayed by the strength of echoes from schools of fish
 Types of display marks:
 Own boat/wake/cross-line cursor/
 bearing mark/cast net mark/
 event mark(max.10 marks)/
 variable distance mark/tidal current mark/
 school-of-fish mark, and other marks.
 Audio output: 2W(8)
 Audio frequency: 750Hz
 Ranges: 150, 200, 250, 300, 400, 500, 600, 700, 800, 1000, 1200,1400, 1500, 1600, 1800, 2000, 2500, 3000, 4000, 5000
 The range when off-center has been enlarged by 1.5times(10 different ranges are selectable)
 Other functions: Clutter, signal processing, interference elimination, TVG, AGC, RCG
 Receiving method: Superheterodyne method
 External signal output: Four inputs available with NMEA0183.
 (while Kaijo's devices are connected for 2 inputs)
 (1) NMEA0183: Own boat position, boat speed, boat speed bearing, sea depth, sea water temperature, or bow bearing
 (2) Kaijo's devices IF-17 and GC-21:
 Tilt: 0° ~ - 90 °can be selected by mechanic circuit control
 Rotation: Mechanically variable in a range between ± 175 degrees
 Hoist: About 1000m/m(LL type)
 Hoist time: About 25 seconds(LL type)
 Power supply: Receiving Single-phase 100V AC, 600VA
 Transmitting Single-phase 220V AC, 1500VA
 Hoist unit 3-phase 220V AC, 750VA

System Components



System Components

| Composition | Type | Unit | Weight | Measurement(W x H x D) |
|------------------------------|---|------|--------|------------------------|
| Display section | I-125 LCD | 1 | 12kg | 447 x 450 x 210mm |
| Control section | RC-14 Remote controller | 1 | 1kg | 200 x 172 x 50mm |
| Processing section | PRC-43 Processor unit | 1 | 37kg | 465 x 654 x 302mm |
| Transmitter/Receiver section | SR-60 TX /RX Unit | 1 | 113kg | 534 x 910 x 445mm |
| Receiver section | RX-24 Receiver | 1 | 8kg | 304 x 436 x 114mm |
| Hoist section | M-90-1-LL Hoist unit equipped with T-108 transducer | 1 | 600kg | 570 x 2950 x 775mm |
| Power supply section | P-79 Power box | 1 | 12kg | 215 x 335 x 153mm |

⚠ CAUTION FOR SAFETY: Please read surely INSTRUCTION MANUAL before operating
 Specification is subject to change without prior notice for improvement.



ISO 14001

KAIJO SONIC CORPORATION

HEAD OFFICE
 3-1-5, SAKAE-CHO HAMURA-SHI, TOKYO, JAPAN 205-8607
 TEL.81-42-555-6080 FAX.81-42-579-5171
 [URL] <http://www.kaijasonic.co.jp> [E-mail] info@sonic.kaijo.co.jp

OVERSEAS MARKETING & SALES DEPARTMENT
 9TH FLOOR, KANDABASHI PARK BLDG,
 1-19, KANDA-NISHIKICHO CHIYODA-KU, TOKYO, JAPAN 101-0054
 TEL.81-3-3294-7615 FAX.81-3-3294-7663

OVERSEAS DISTRIBUTOR

KAIJO CORPORATION

SEOUL BRANCH TEL 82-2-563-3345 ~ 6 FAX 82-2-563-3347
TAIPEI BRANCH TEL 886-2-2709-3538 FAX 886-2-2704-8907