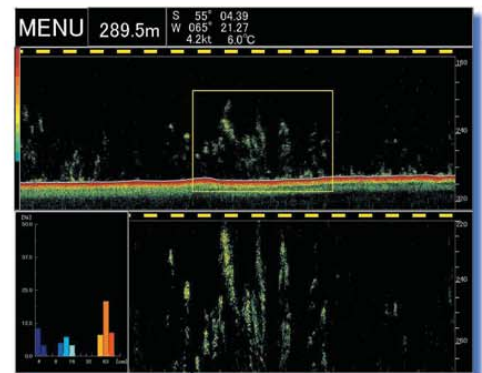
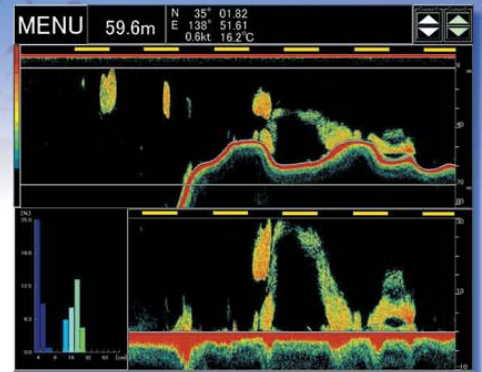
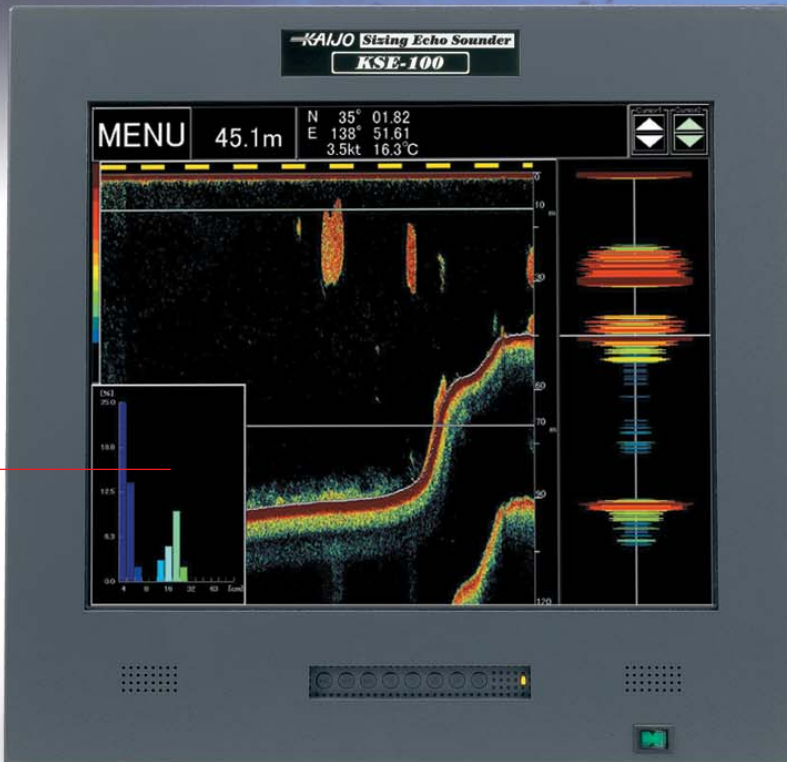


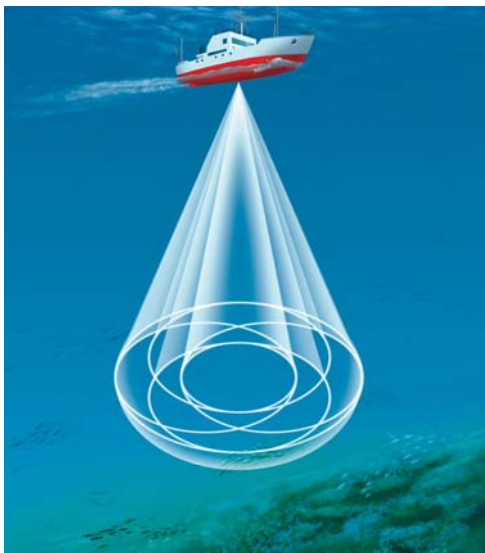


KSE-100

Kaijo Sonic Sizing Echo Sounder with Split beam transducer



Bar graph of fish size and frequency(%) with split beam technology



The latest Technology! High Performance split beam fish-sizing echo sounder

Features:

- Easy control using a trackball
- High precision digital TVG
- LCD monitor with high resolution picture
- Selectable display area enclosed by Graphic User Interface
- Instant saving and retrieval for user settings

Kaijo Sonic Sizing Echo Sounder with Split beam transducer **KSE-100**

Specification

Operation: Menu operation by a trackball
Display: High resolution 17" LCD color monitor
Display composition:

Fish length graph	Display of the fish length in a selected area
Standard picture	Single picture/split picture display(Max.3pictures)
Enlarged split picture	Expanded picture, Sea bottom fixed picture(non-display available)
Information	Navigation information data, Command display
Menu	Operation menu in a variety of settings

Fish length graph: Graph types Bar Graph
Measurement range: Max. 600m
Fish length range: Max. 200cm
Selected range: Operational range, Depth layer, Depth layer from sea bottom
Range: 5 - 2000m(setting in each 10m step)
Shift: 0 - 3000m(setting in each 10m step)
Scale: Selected by m.fathom
Color: 16colors
Color expansion: 5 steps
Clutter: 16 steps
TVG: Fish school mode, optional mode
Marker: Minute, time, distance(3 kinds)
Picture-advance speed: 2 times, 1 time, 1/2 time, 1/5 times. pause(4 kinds)
Interference removal: Correlation way
Memorized function: Settings storage(2 kinds), picture memorize(6 kinds)
Character: Vertical cursor(2 kinds), horizontal cursor, A scope
 Net finder water depth display
Information: Navigation information(latitude, longitude, ship speed, water temperature, net finder, water depth), operation command display
Language: English,Japanese(set by KAIJO SONIC before shipment)
Outer synchronization: Synchronous input, output trigger(TTL level or current)
Navigation info. Input: NMEA0183(latitude, longitude, GLL, fish speed VTG, water temperature, MTW)
 IF-17 Interface format(Latitude, longitude, water temperature)
 I-50 net finder signal(Net finder water depth)
Navigation info. output: NMEA0183(fish finder sea depth DBT)
Frequency: 38kHz, 70kHz
Transducer: Split beam way, transmission output 3kw
Standard system composition:

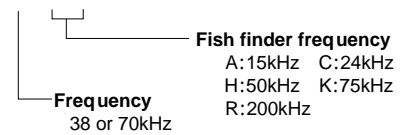
Composition	Measurement(W x H x D)	Weight
I-125 Display	340 x 369 x 157mm	4.1kg
PRC-45 Processor	365 x 470 x 141mm	13kg
Track ball	119 x 190 x 60mm	0.3kg
SR-78 TX/ RX	387 x 565 x 330mm	40kg
T-178 Transducer	342.5 x 134mm	27kg
T-181 Transducer	200 x 220 x 120mm	20kg

Operating conditions: PRC-45 processor(AC100V, 200VA, 0 ~ 50)
 SR-78 TX/RX(AC100V, 800VA, - 5 ~ 55) *Option:AC220V

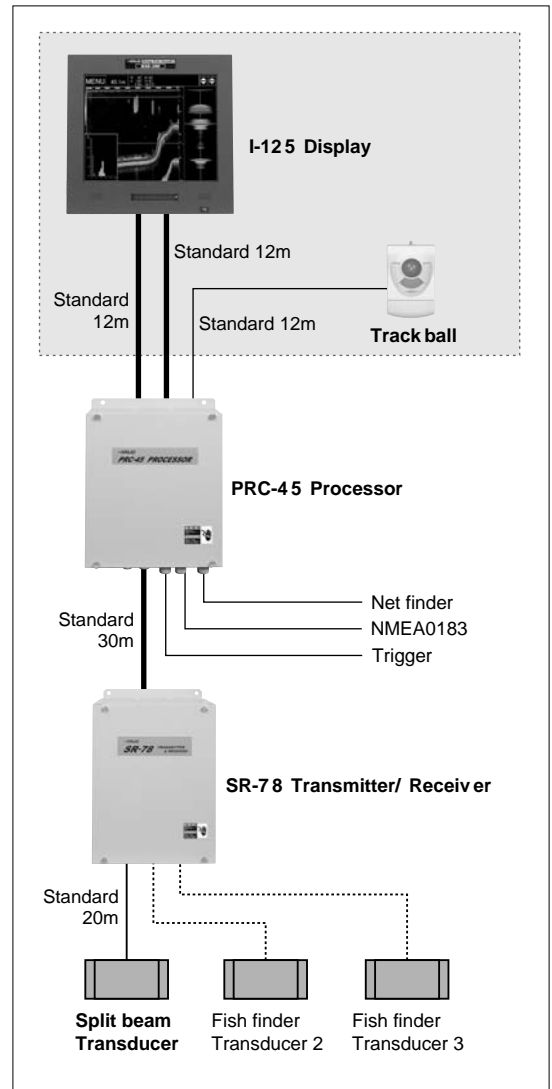
Fish finder option

Frequency: 15, 24, 50, 75, 200kHz
Number of connection: Max. two frequencies
Transducer: Single beam
Transmission output: 2 kW

Type
KSE-100-



System diagram



SAFETY PRECAUTION: Please be sure to read the Instruction Manual before operating
 Specifications are subject to change without prior notice for improvement.



ISO 14001

KAIJO SONIC CORPORATION

HEAD OFFICE

3-1-5, SAKAE-CHO HAMURA-SHI, TOKYO, JAPAN 205-8607
 TEL.81-42-555-6080 FAX.81-42-579-5171
 URL http://www.kaijasonic.co.jp E-mail info@sonic.kaijo.co.jp

OVERSEAS MARKETING & SALES DIVISION

9TH FLOOR, KANDABASHI PARK BLDG,
 1-19, KANDA-NISHIKICHO CHIYODA-KU, TOKYO, JAPAN 101-0054
 TEL.81-3-3294-7615 FAX.81-3-3294-7663

OVERSEAS DISTRIBUTOR

KAIJO CORPORATION

SEOUL BRANCH TEL 82-2-563-3345 ~ 6 FAX 82-2-563-3347
TAIPEI BRANCH TEL 886-2-2709-3538 FAX 886-2-2704-8907