



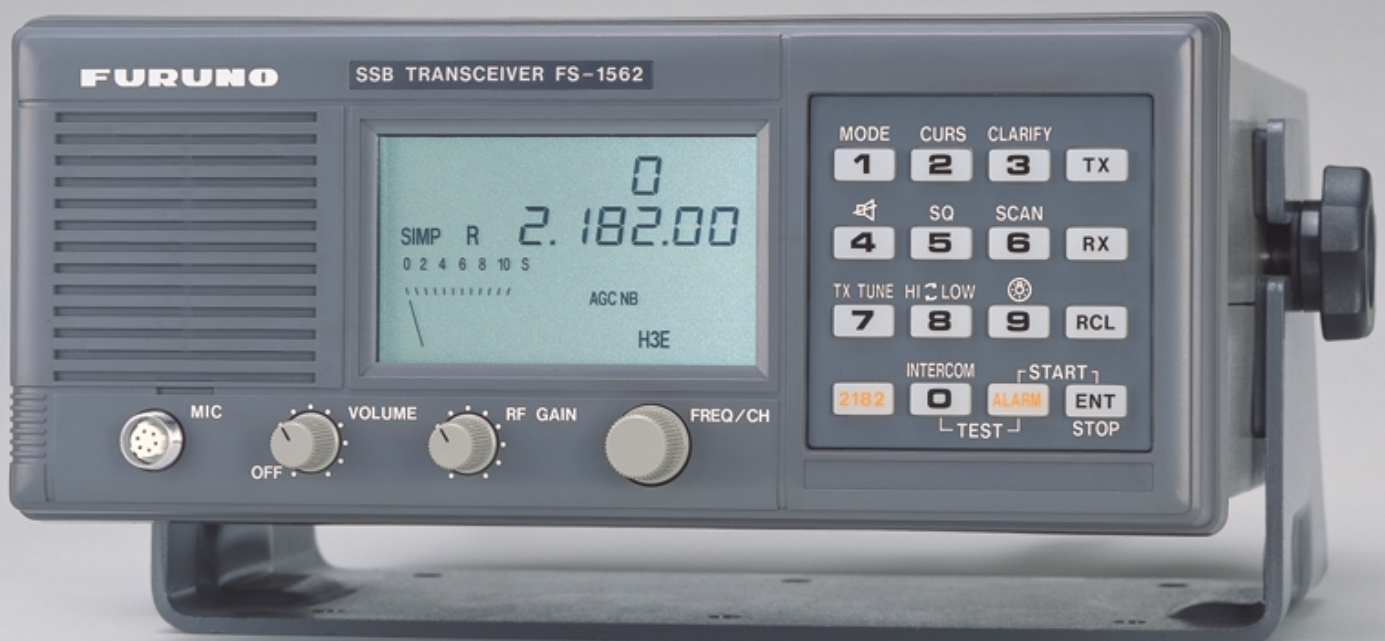
FURUNO®

150 or 250 W version

SSB RADIOTELEPHONE

Models FS-1562-15/FS-1562-25

Meets GMDSS carriage requirements



- Meets GMDSS carriage requirements
- All SSB/TELEX frequencies allocated by ITU are incorporated plus 200 user-programmable channels
- Independent or paired selection of transmit and receive frequencies (both displayed simultaneously)
- Intuitive frequency selection using rotary control or numeric keys. Selection of unauthorized transmit frequencies rejected and warning displayed
- DDS (Direct Digital Synthesizer) for quick Tx/Rx changeover
- Large illuminated LCD display provides detailed operational status information, including signal strength and transmitter antenna current
- Automatic antenna coupler quickly and efficiently tunes antennas between 7 and 30 meters in length
- Compact, sturdy cabinet design allows overhead, bulkhead or tabletop installation



© The future today with FURUNO's electronics technology

FURUNO ELECTRIC CO., LTD.

9-52 Ashihara-cho, Nishinomiya City, Japan Telephone: +81 (0)798 65 2111
Telefax: +81 (0)798 65 4200, 66-4622

Catalogue No. S-021g

TRADE MARK REGISTERED
MARCA REGISTRADA

The FS-1562 series is a new MF/HF radiotelephone fully capable of GMDSS, MARITEX and TELEX operation, packaged in a compact, sturdy cabinet. The radiotelephone is available with 150 Wpep (FS-1562-15) or 250 Wpep (FS-1562-25) power output.

The high-performance DDS (Direct Digital Synthesizer) is computer-controlled to generate all authorized transmit frequencies between 1.6 and 27.5 MHz plus any receive frequency from 0.1 to 30 MHz in 10 Hz steps. On paired channels, the transmit frequency and the receive frequency are displayed simultaneously. Frequencies and channels are selected either by the rotary control or numeric keys. International calling and distress

frequency 2182 kHz is instantly selected by a single touch of the [2182] key.

The FS-1562 provides not only quality voice communication but also GMDSS operation with DSC Terminals DSC-5/5A/6/6A and MARITEX/TELEX operation with NBDP Terminal DP-5.

The fully automatic antenna coupler is supplied as standard and matches a whip or wire antenna 7 to 30 meters long. Tuning is achieved in less than 0.5 seconds on channels that have been tuned before and within 2 to 15 seconds on new channels.

SPECIFICATIONS

GENERAL CHARACTERISTICS

- Frequency Range**
TX: 1.6 to 27.5 MHz, 100 Hz steps
RX: 0.1 to 29.99999 MHz, 10 Hz steps
- Frequency Accuracy** 10 Hz (after warm-up)
- Communication System** Simplex or semi-duplex
- Class of Emission**
J3E, H3E and J2B
When 2182 kHz is recalled by the [2182] key, H3E is automatically selected.
- Power Supply**
24 VDC +30/-10 %, 15 A (150 W),
35 A (250 W) for TX, 2 A for RX
115/230 VAC with extra rectifier

TRANSMITTER CHARACTERISTICS

- RF Output Power**
150W (FS-1562-15), 250 W (FS-1562-25) at 50-ohm load
Reducible to 60 Wpep
- Two-tone Alarm Generator**
Built in as standard. Complies with SOLAS requirements.

ANTENNA COUPLER CHARACTERISTICS

- Input Impedance** 50 ohms
- Antenna** 7-30 m whip or wire
- Tuning Speed** 0.2 to 2 sec, typical

RECEIVER CHARACTERISTICS

- Receiving System**
Double-conversion super heterodyne
IF: 54.455 MHz and 455 kHz
- Selectivity**
J3E: 350 to 2700 Hz, H3E: ± 3 kHz, F1B: ± 150 Hz
- Sensitivity** (Input level to produce SINAD 20 dB)

	J3E	H3E	F1B
0.3 - 1.6 MHz (10 Ω + 250PF)	25 dB μ V	39 dB μ V	-
1.6 - 4 MHz (10 Ω + 250PF)	16 dB μ V	30 dB μ V	6 dB μ V
4 - 27.5 MHz (50 Ω)	3 dB μ V	-	-7 dB μ V
- Scan** Dwell time 1-99 sec where traffic is present
- Audio Output**
1 W (8 Ω built-in speaker)
5 W (4 Ω external speaker)

EQUIPMENT LIST

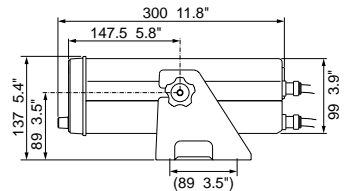
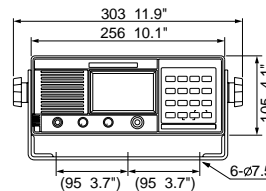
Standard

- Transceiver unit
- Telephone handset
- Antenna coupler AT-1560 (FS-1562-15), AT-1562-25 (FS-1562-25)
- Power Amplifier Unit PA-2500 for FS-1562-25

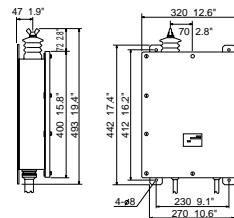
Optional

- Rectifier with changeover facility PR-300 for FS-1562-15
PR-850A for FS-1562-25
- Distributor DB-120
- External speaker

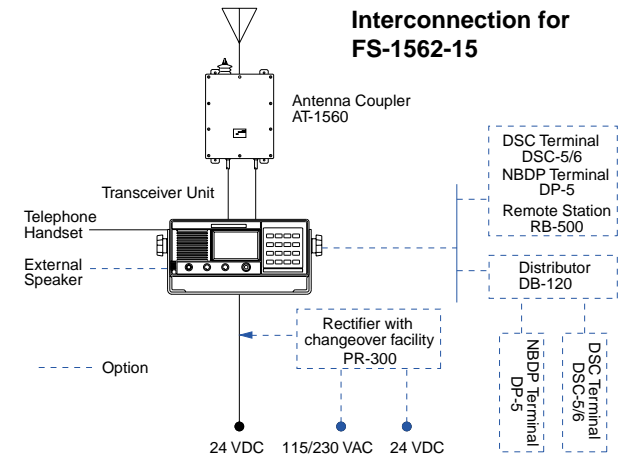
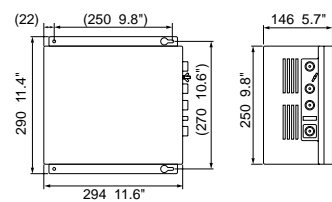
Transceiver Unit



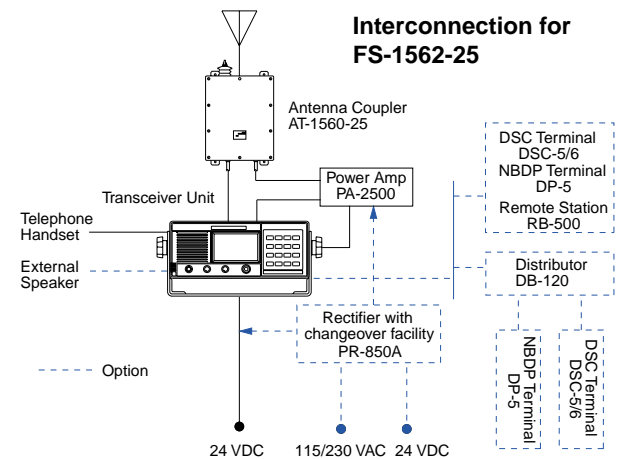
Antenna Coupler AT-1560/AT-1560-25



Power Amplifier PA-2500



Interconnection for FS-1562-15



Interconnection for FS-1562-25

SPECIFICATIONS SUBJECT TO CHANGE WITHOUT NOTICE

01085N Printed in Japan

FURUNO U.S.A., INC.

Camas, Washington, U.S.A.
Phone: +1 360-834-9300 Telefax: +1 360-834-9400

FURUNO (UK) LIMITED

Denmead, Hampshire, U.K.
Phone: +44 2392-230303 Telefax: +44 2392-230101

FURUNO FRANCE S.A.

Bordeaux-Mérignac, France
Phone: +33 5 56 13 48 00 Telefax: +33 5 56 13 48 01

FURUNO ESPAÑA S.A.

Madrid, Spain
Phone: +34 91-725-90-88 Telefax: +34 91-725-98-97

FURUNO DANMARK AS

Hvidovre, Denmark
Phone: +45 36 77 45 00 Telefax: +45 36 77 45 01

FURUNO NORGE A/S

Alesund, Norway
Phone: +47 70 102950 Telefax: +47 70 127021

FURUNO SVERIGE AB

Västra Frölunda, Sweden
Phone: +46 31-7098940 Telefax: +46 31-497093

FURUNO SUOMI OY

Helsinki, Finland
Phone: +358 9 341 7570 Telefax: +358 9 3417 5716